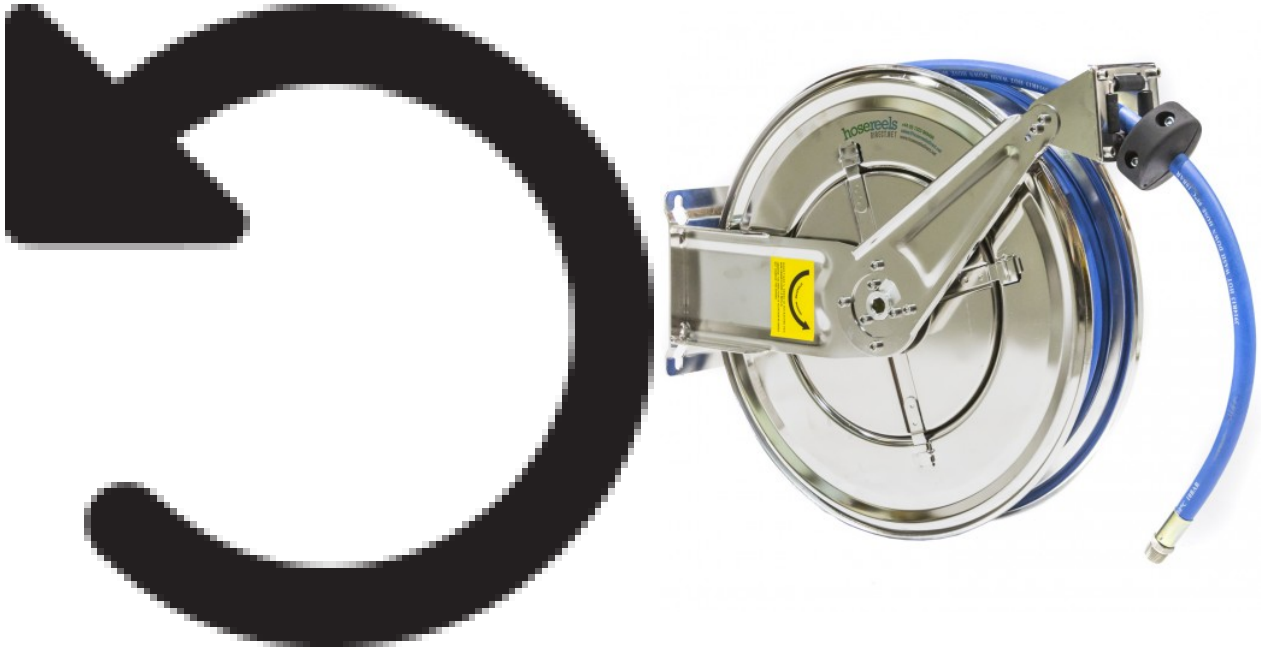


Brewery Jet/Pressure wash reel with 15 metres of 12mm hose



Rewind Type

Spring Retractable - pull the hose out, it latches in place, a gently pull releases the latch and the hose can be wound back onto the reel



Suitable for

- Jet washing in breweries, wineries and food production
- Food factory wash down that requires a high level of sanitation

-->

Type	
Rewind Method	Spring
Hose	
I.D. (Inside Diameter)	12mm (1/2")
Length (m)	15 m
Pressure (BAR)	200
Type of Hose	Blue 1SC Non marking hygienic hose
Supplied with Hose	Yes
No. of Hoses	Single Hose
Application	
Media	Hot Water & Jet Wash Up to 150°C
Construction	Stainless Steel
Weight	23kg
Dimensions (mm)	See Documents Tab
Max. Working Temp.	150°C
Swivel	
Seals	Viton
Material	304 Stainless Steel
Connection	
Inlet	m1/2"
Outlet	f1/2"



Reasons to Buy

- Ultra hygienic to help maintain professional standard
- Stainless steel high pressure swivel connection and internal pipework to work alongside your jetways machine
- Built in Europe for a high build quality



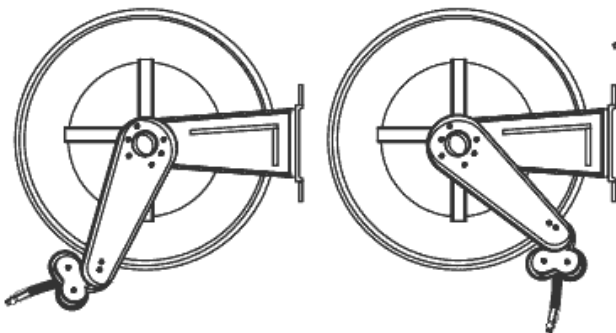
Hose Type

200bar Professional non-marking blue wire braided hot water hose

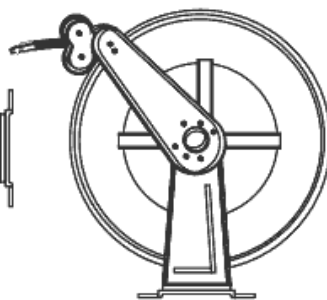


Mounting Positions

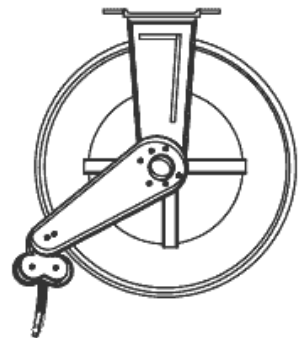
Wall



Floor



Ceiling





FX460 Jet Wash Package Includes;

1x FX460 Series Hose Reel fitted and pre-tensioned with 15metres of premium 1/2" hose

1x High pressure swivel connection - pre fitted

1x 1metre connection pipe to connect your reel to your supply

Free mainland UK delivery

All items are available to purchase individually

-->



<https://hosereelsdirect.net/hosereels/brewery-hotwash>