

## Manual hose reel type STKi2

The manual hose reel type STKi2 with closed hub is suitable for all industrial and vehicle applications. While extending the drum hub and the cross braces the length of the hose could be enlarged. A removeable manual crank handle with a rotary polyamide roll is used to rewind the hose.

### Available materials:

- Stainless steel AISI 304 (Application in wet areas).
- Stainless steel AISI 316 (Application in aggressive areas).

### Reel bearing and brake:

Maintenance free, chemical resistant synthetic slide bearings, resistant to moisture and dirt. A mechanical brake integrated in the bearing permits a fine setting of the drum braking through to a complete stop.

### Additional stop bolt:

On demand all variations can be equipped with an additional locking. The drum of each type can be stopped at 8 position per each rotation due to the spring-assisted stop bolt.

### Pipe elbow:

A connecting pipe that is welded with the axle guarantees an easy hose mounting, without bending the hose extremely.

### Angled swivel:

The standard angled swivel is basically equipped with a stainless steel axle. The housing consists of a hard anodized aluminium die cast alloy (3/8" & 1/2") or chemical nickel-plated brass (3/4"). All types can be supplied in stainless steel AISI 304 upon request. The used seals are made of PTFE and EPDM. For a surcharge they are also available in Viton for chemistry.

### Mounting possibilities:

The hose reel can be mounted vertical, hanging or mounted on the wall. There is no need of special brackets. We do not recommend wall swivel brackets because the reel could deflect while rewinding the hose.

### Application areas:

Water, water with detergents, air, oil and grease. The maximum permitted operating temperature is regularly 100°C. If required, the hose reels can be modified to a temperature of 180°C for an extra charge (see page 20).

### Accessories:

We are at your disposal to assist you for further accessories or assembling the appropriate hose and pistol (see page 46+47). For a surcharge there is a hose guide window and angular gearbox available.



Angled swivel WDT12/AI



Pipe elbow



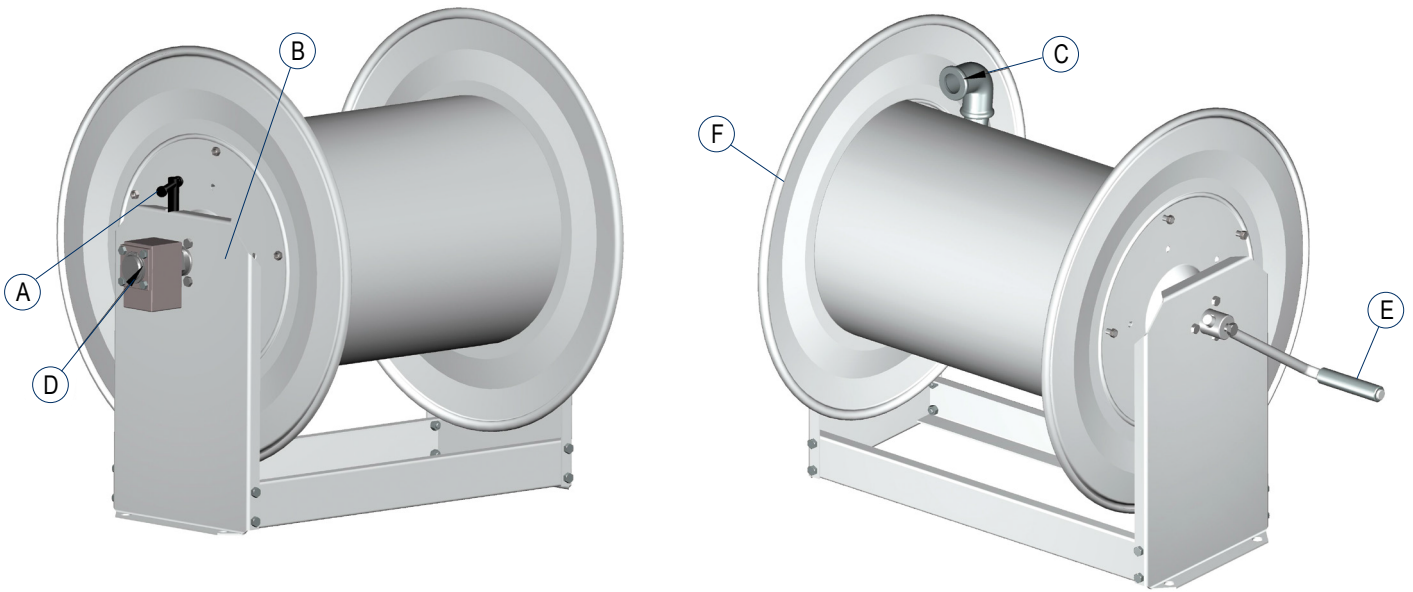
Hand crank with polyamide roll



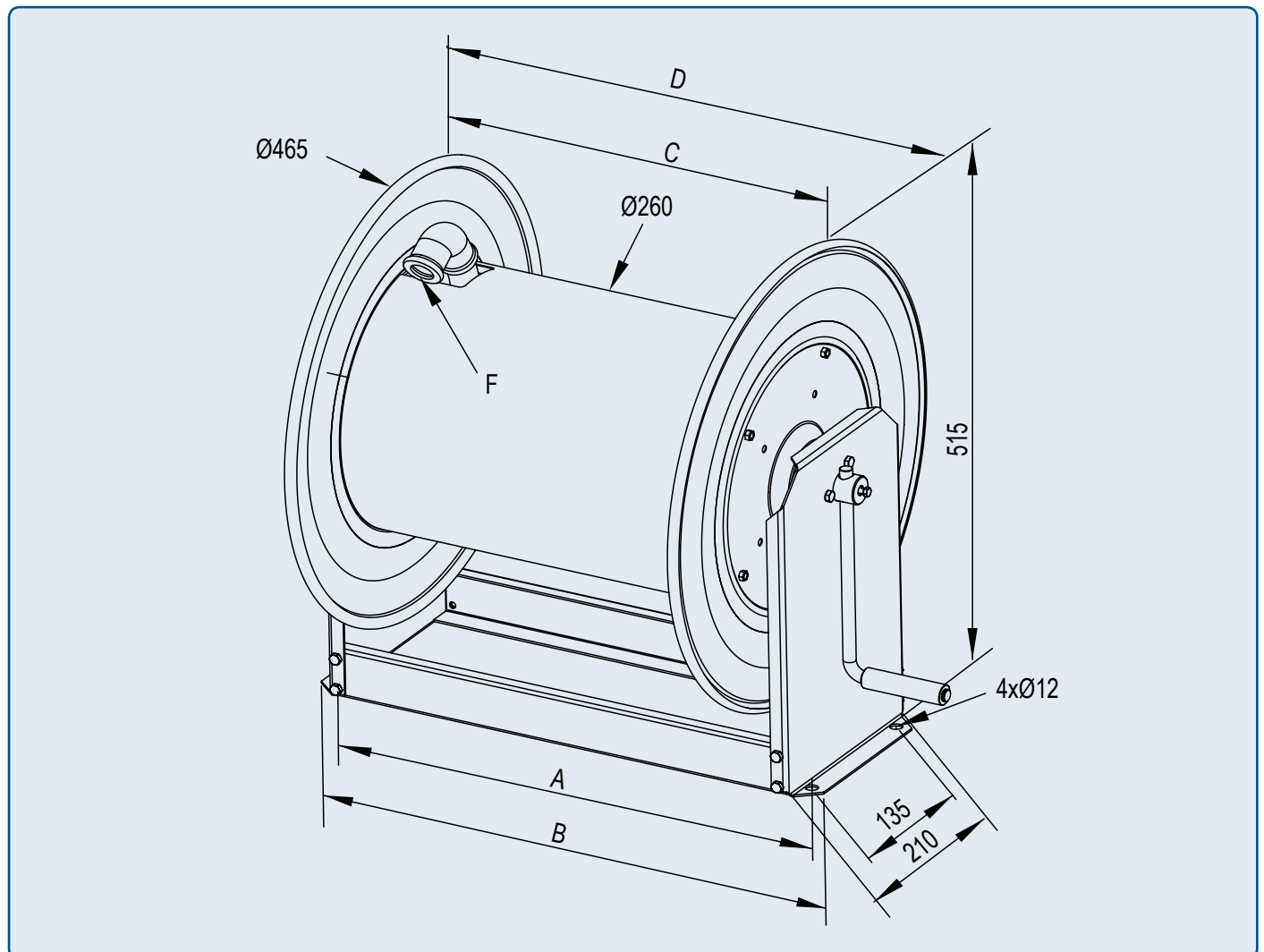
Brake handle

Sectional view  
Hose reel STKi2

Description					
A - Brake handle	B - Stop bolt (option)	C - Pipe elbow	D - Angled swivel	E - Crank handle	F - Drum



Dimensions  
Hose reel STKi2



Technical data  
Hose reel STKi2

Type	Item number	Rewindable hose length in meter depending of the hose outside diameter-Ø [ mm ]				Nominal diameter/ thread* F		Max. press.	Weight	Dimensions in mm				Surface	Material of the angled swivel*
		Ø17	Ø22	Ø28	Ø35	mm	Inch			bar	kg	A	B		
<b>1/2" (DN12)</b>															
STKi2 20/12-304	V10720010	60	35			12	1/2"	200	10,5	280	312	200	385	Stainless st. 304	Alu/304
STKi2 20/12-316	V10720010-1	60	35			12	1/2"	200	10,5	280	312	200	385	Stainless st. 316	316
STKi2 40/12-304	V10720012	125	70			12	1/2"	200	13,5	480	512	400	585	Stainless st. 304	Alu/304
STKi2 40/12-316	V10720012-1	125	70			12	1/2"	200	13,5	480	512	400	585	Stainless st. 316	316
STKi2 50/12-304	V10720018	150	85			12	1/2"	200	14,6	580	612	500	685	Stainless st. 304	Alu/304
STKi2 50/12-316	V10720018-1	150	85			12	1/2"	200	14,6	580	612	500	685	Stainless st. 316	316
STKi2 60/12-304	V10720021	185	100			12	1/2"	200	15,7	680	712	600	785	Stainless st. 304	Alu/304
STKi2 60/12-316	V10720021-1	185	100			12	1/2"	200	15,7	680	712	600	785	Stainless st. 316	316
STKi2 70/12-304**	V10720024	215	115			12	1/2"	200	16,8	780	812	700	885	Stainless st. 304	Alu/304
STKi2 80/12-304**	V10720027	250	130			12	1/2"	200	17,9	880	912	800	985	Stainless st. 304	Alu/304
<b>3/4" (DN19)</b>															
STKi2 20/19-304	V10720011			20		19	3/4"	200	11,7	280	312	200	414	Stainless st. 304	Br/304
STKi2 20/19-316	V10720011-1			20		19	3/4"	200	11,7	280	312	200	414	Stainless st. 316	316
STKi2 40/19-304	V10720013			40		19	3/4"	200	14,7	480	512	400	614	Stainless st. 304	Br/304
STKi2 40/19-316	V10720013-1			40		19	3/4"	200	14,7	480	512	400	614	Stainless st. 316	316
STKi2 50/19-304	V10720019			50		19	3/4"	200	15,8	580	612	500	714	Stainless st. 304	Br/304
STKi2 50/19-316	V10720019-1			50		19	3/4"	200	15,8	580	612	500	714	Stainless st. 316	316
STKi2 60/19-304**	V10720022			60		19	3/4"	200	16,9	680	712	600	814	Stainless st. 304	Br/304
STKi2 60/19-316**	V10720022-1			60		19	3/4"	200	16,9	680	712	600	814	Stainless st. 316	316
STKi2 70/19-304**	V10720025			70		19	3/4"	200	18,0	780	812	700	914	Stainless st. 304	Br/304
STKi2 80/19-304**	V10720028			80		19	3/4"	200	19,1	880	912	800	1014	Stainless st. 304	Br/304
<b>1" (DN24)</b>															
STKi2 20/24-304	V10720016				15	24	1"	100	12,0	280	312	200	414	Stainless st. 304	Br/304
STKi2 20/24-316	V10720016-1				15	24	1"	100	12,0	280	312	200	414	Stainless st. 316	316
STKi2 40/24-304	V10720017				33	24	1"	100	15,0	480	512	400	614	Stainless st. 304	Br/304
STKi2 40/24-316	V10720017-1				33	24	1"	100	15,0	480	512	400	614	Stainless st. 316	316
STKi2 50/24-304	V10720020				43	24	1"	100	16,1	580	612	500	714	Stainless st. 304	Br/304
STKi2 50/24-316	V10720020-1				43	24	1"	100	16,1	580	612	500	714	Stainless st. 316	316
STKi2 60/24-304**	V10720023				52	24	1"	100	17,2	680	712	600	814	Stainless st. 304	Br/304
STKi2 60/24-316**	V10720023-1				52	24	1"	100	17,2	680	712	600	814	Stainless st. 316	316
STKi2 70/24-304**	V10720026				61	24	1"	100	18,3	780	812	700	914	Stainless st. 304	Br/304
STKi2 80/24-304**	V10720029				70	24	1"	100	19,4	880	912	800	1014	Stainless st. 304	Br/304

\* You will find the connection threads of the angled swivels on page 44.

\*\* A 2mm hub is used due to the impact.